

VT 6000

Continuous Vertical Form, Fill & Seal Machine

The Volmpack VT 6000 is a versatile machine that is capable of handling fresh produce in various packaging styles, including pillow, gusseted pillow, block bottom, quattro, and doy-style with or without resealable zipper. The machine features a complete open-frame design and a clean film carriage, which makes it easily accessible. The machine can support either single or dual film reels.



FEATURES

- Hygienic open-frame design
- High-speed continuous packing
- Maximum versatility
- Stainless steel construction for quick cleaning

ADDITIONAL OPTIONS

- Electrical cabinet placement right or left-handed
- automatic splicing table
- Rotating bag perforator
- Thermal printer
- Guest/ block bottom unit
- Carry handle, finger holes, or euro-hole punch
- Preparation for heat seal-able paper

BAG STYLES

- Pillow
- Gusset
- Block Bottom
- Doy Style
- Quattro

PARTNER OPTIONS

- M8
- M10
- M10i D
- M10i Ds
- MD12
- M12 V
- M12i FR
- M12i V
- MD16
- MD20

PACKAGE SIZE RANGE

- ½ to 5 pounds

PACKAGE DIMENSION

- Max 11"w x19.8"h (280w x500h mm)

CAPACITY / RATE

- 1½ pounds up to 70 packages per minute*

AIR CONSUMPTION

- 8 CFM**

POWER

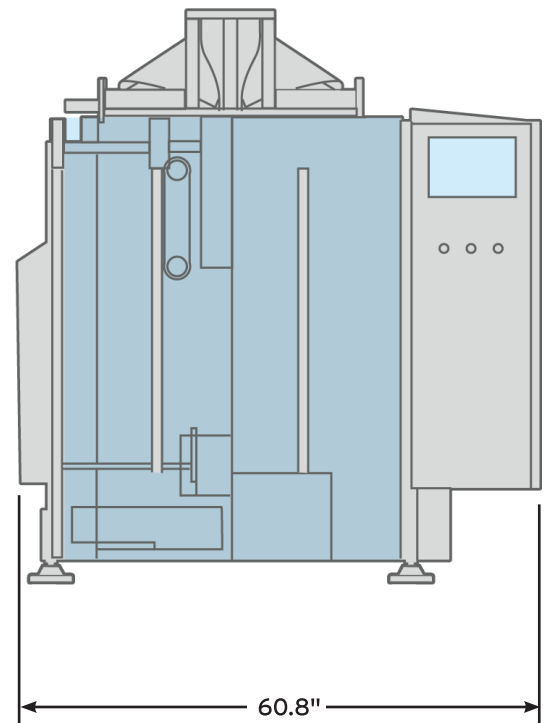
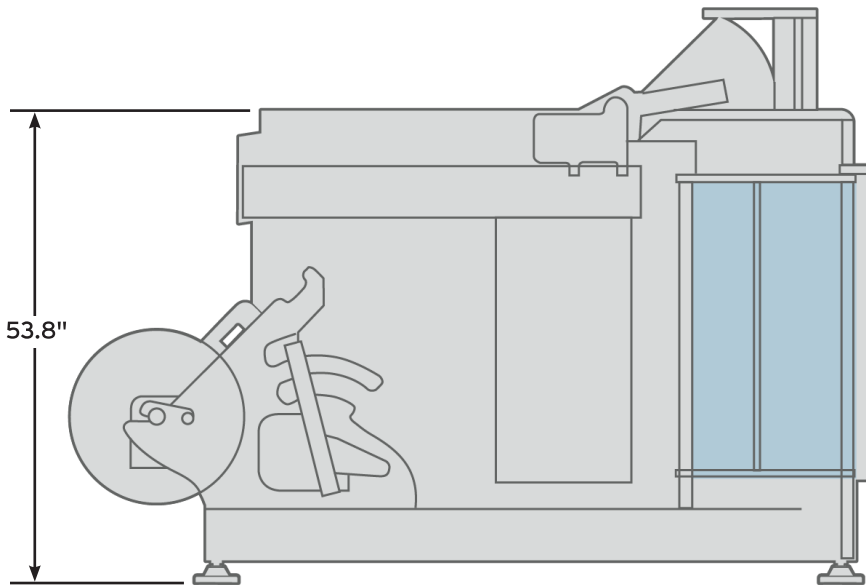
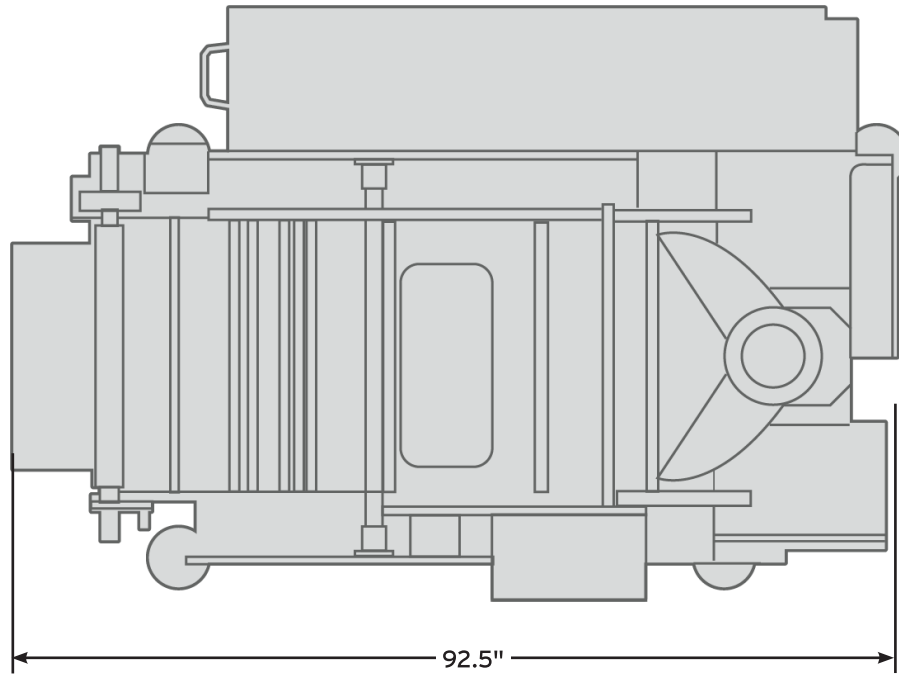
- 230 Volt, 3 phase and ground

MOST COMMON PRODUCTS

- Potatoes
- Citrus Fruit
- Garlic & Shallots
- Onions
- Green Beans
- Brussels Sprouts
- *Custom testing is available for any product.*

VT 6000

Continuous Vertical Form, Fill & Seal Machine



* Depends on product, infeed and discharge system.

** Actual air consumption will increase based on the chosen discharge system(s).
Measurements are rounded off to the nearest inch.