

## VT 2000ML

Intermittent Vertical Form, Fill & Seal Machine

The Volmpack VT 2000ML is an intermittent vertical bagging machine with an excellent sanitary design. It is ideal for handling a wide range of pack styles, including Doy-style pouches with or without a reclosable zipper. Volmpack VFFSs (Vertical Form Fill and Seal) can produce the highest quality and most innovative pack styles.



### FEATURES

- Hygienic open-frame design
- Extreme sealing pressure
- Maximum versatility
- Stainless steel construction for quick cleaning
- Lowest cost of ownership and lowest cost per pack

### ADDITIONAL OPTIONS

- Electrical cabinet placement right or left-handed
- Rotating bag perforator
- Thermal printer
- Guest/ block bottom unit
- Carry handle, finger holes, or euro-hole punch
- Preparation for heat seal-able paper

### BAG STYLES

- Pillow
- Gusset
- Block Bottom
- Doy Style
- Quattro

### PARTNER OPTIONS

- M8
- M10
- M10i D
- M10i Ds
- MD12
- M12 V
- M12i FR
- M12i V
- MD16
- MD20

### PACKAGE SIZE RANGE

- ½ to 10 pounds

### PACKAGE DIMENSION

- Max 14.9"w x22.8"h (380w x480h mm)

### CAPACITY / RATE

- 1½ pounds up to 50 packages per minute\*

### AIR CONSUMPTION

- 14 CFM\*\*

### POWER

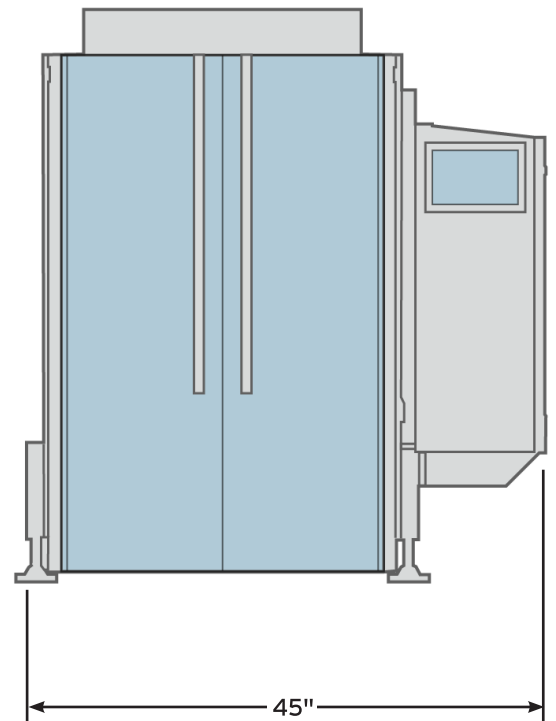
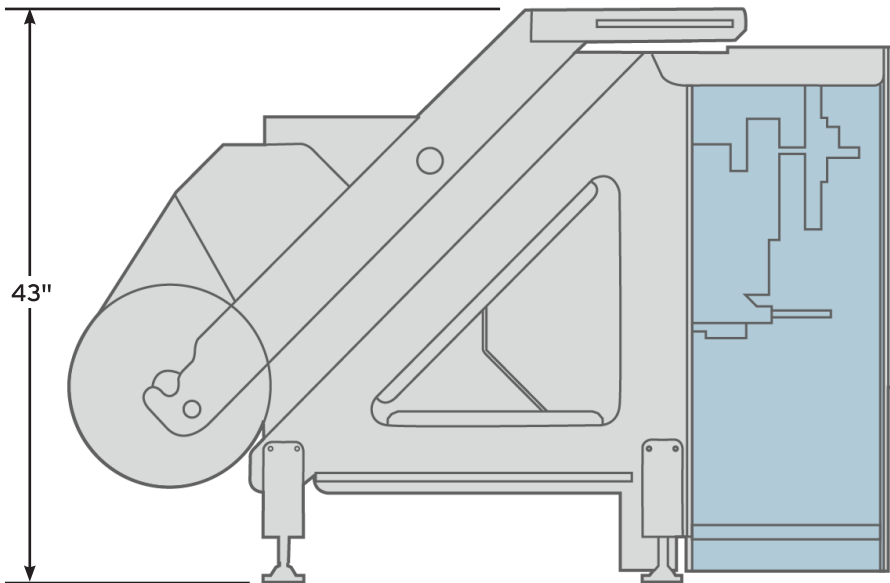
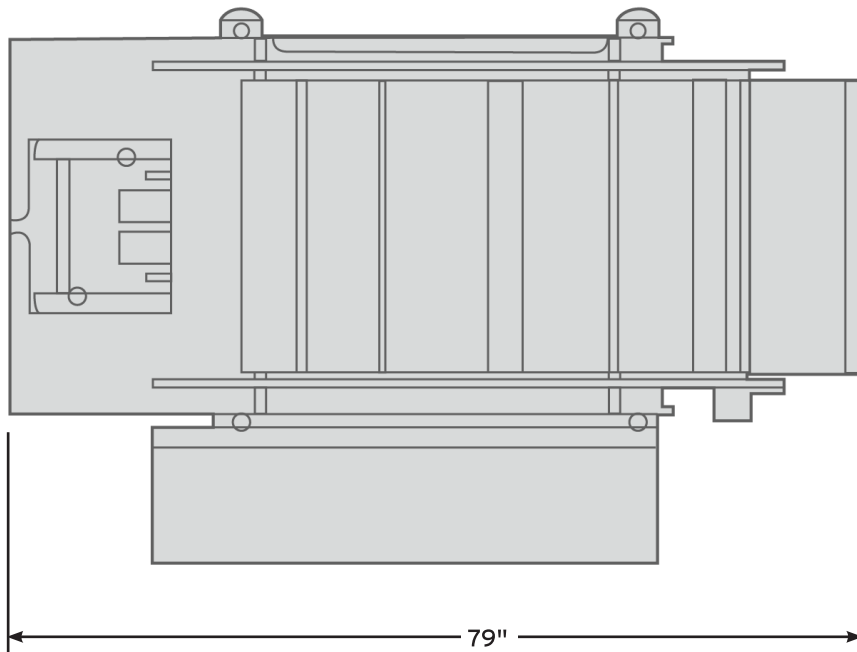
- 230 Volt, 3 phase and ground

### MOST COMMON PRODUCTS

- Potatoes
- Citrus Fruit
- Garlic & Shallots
- Onions
- Green Beans
- Brussels Sprouts
- *Custom testing is available for any product.*

## VT 2000ML

Intermittent Vertical Form, Fill & Seal Machine



\* Depends on product, infeed and discharge system.

\*\* Actual air consumption will increase based on the chosen discharge system(s).  
Measurements are rounded off to the nearest inch.