

RSB-P POUCH BAGGER

The RSB-P Pouch Bagger is a rollstock poly bagger capable of producing pouches from a pre-made roll. This machine allows packing facilities to move away from costly and labor intensive pouch filling to affordable, high speed automation. Bag are filled through the open/close fill opening. While filling, bags are held by a supporting belt to gently fill with product. The RSB-P Pouch Bagger can pack at rates up to 40 bags per minute. The RSB-P Pouch Bagger is available in a stainless steel construction. It can also be equipped with softhandling features.

FEATURES

- Constructed according to CE specifications and comes with integrated safety switches in the doors
- Single filling hole that can be used for different diameters
- Narrow discharge belt for small filling holes
- Easy height adjustment for longer bags
- Left and right-hand versions to fit layout
- Easy access for service and maintenance
- User-friendly program allows operators to create many set-ups with ease
- Clear doors all around machine for both safety and easy viewing of internal parts of machine
- Optional router for remote assistance

ADDITIONAL OPTIONS

- Available in stainless steel
- Open/close filling hole to create a large fill opening and prevent blockages
- Vibrating motor in support belt
- Vibrating hopper to prevent blockages in the hopper
- Can be equipped with a vertical sealer
- Can be equipped with tape or CoselT® closure

PARTNER OPTIONS

- | | |
|----------|-----------|
| • M8 | • M14 SF |
| • M10 | • MD14 XL |
| • M10 Ca | • MD16 |
| • M10 XL | • MD 20 |
| • MD12 | • M2 XXL |
| • M12i V | • M2i V |
| • M12 V | • BW2 |
| • M12 Ca | |



Patent Pending

PACKAGE SIZE RANGE

- 1 to 20 pounds

CAPACITY / RATE

- 2 pounds up to 40 pouches per minute*
- 5 pounds up to 30 pouches per minute*
- 10 pounds up to 22 pouches per minute*
- 20 pounds up to 18 pouches per minute*

AIR CONSUMPTION

9 CFM**

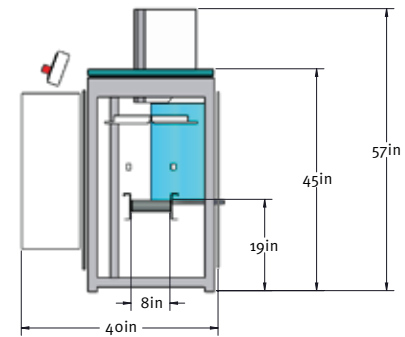
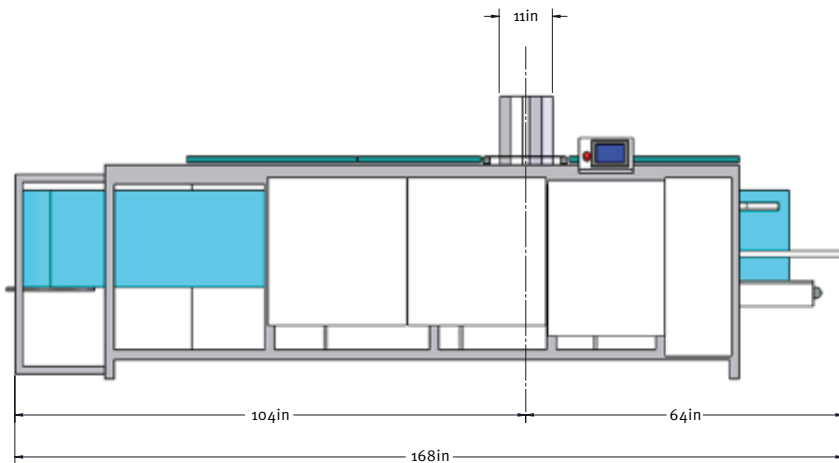
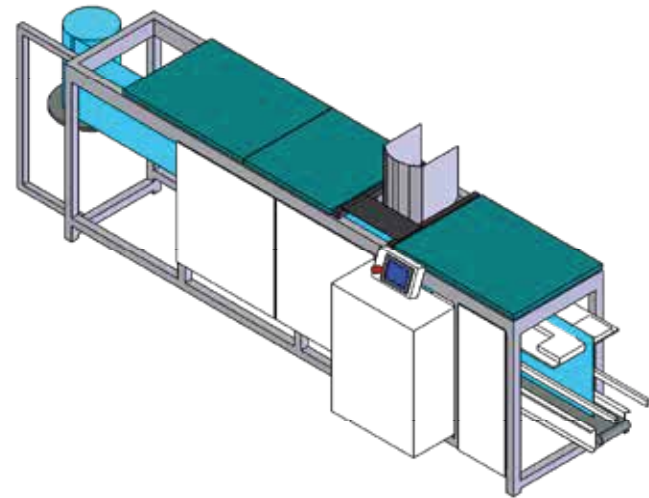
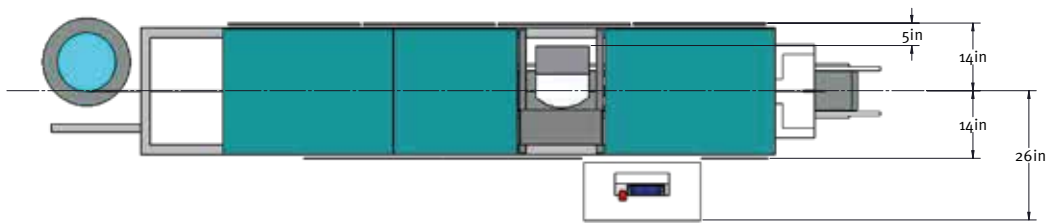
POWER

230 Volt, 3 Phase and Ground

* Depends on product, infeed, and discharge system.

** Actual air consumption will increase based on discharge system(s) chosen.

RSB-P POUCH BAGGER



Measurements are rounded off to the nearest inch.