



THE BEST FROM EVERY HARVEST

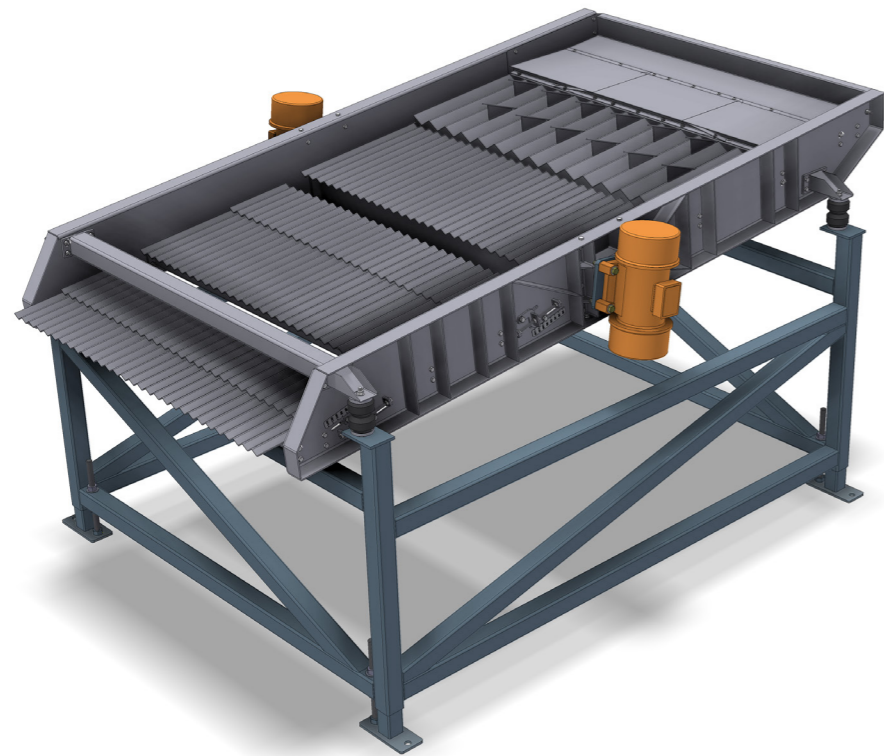
Waste Removal



Vibrating Piece Remover

Wyma's Vibrating Piece Remover removes unwanted debris in your processing line.

Carrots • Parsnips • Yams and more



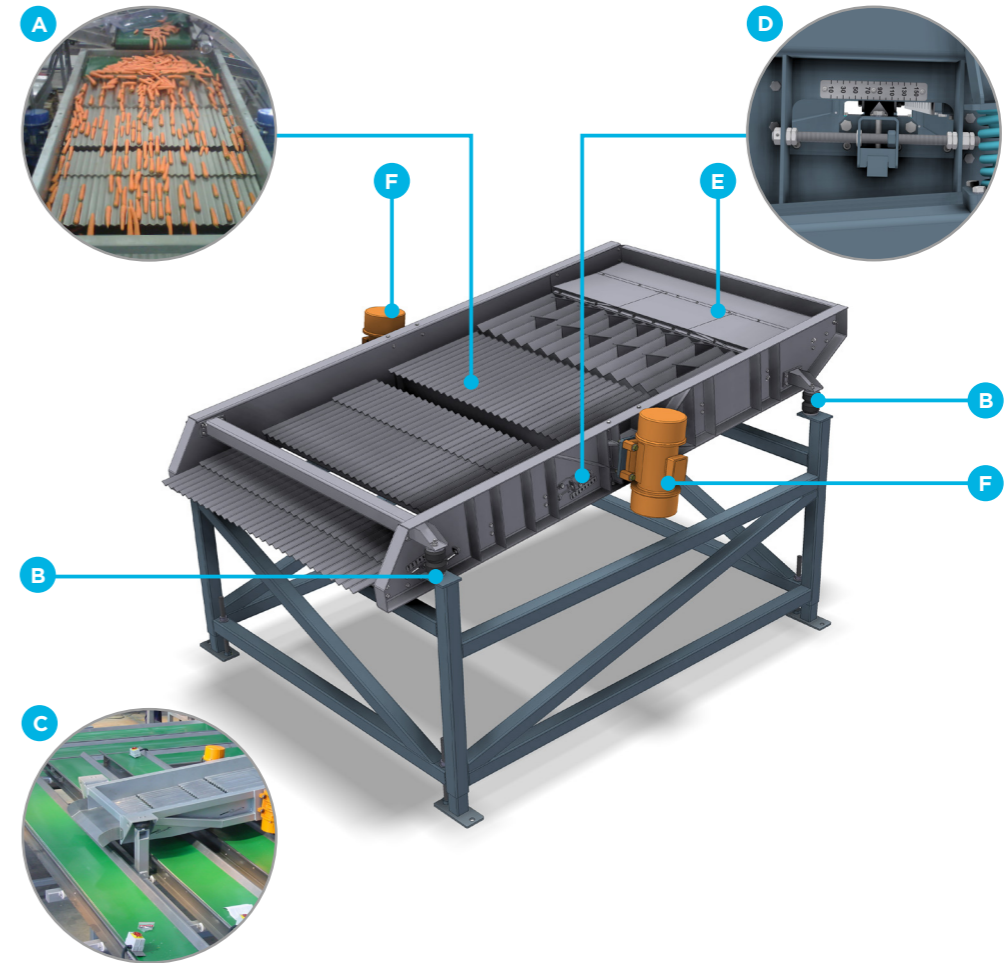
Produce is fed onto a flat section at the infeed end of the machine (spreader tray). It then moves onto the bed which is made up of corrugated channels. The whole machine vibrates and spreads produce across its width. The vibrations also move produce into the corrugated channels and towards the outfeed.

As produce moves forward, a series of adjustable openings allow broken pieces and short produce to fall through while longer produce bridges the opening and continues on.

Produce flow can be separated three times: two through the adjustable openings and one exiting at the outfeed. Opening sizes can be easily changed using adjusters on each side of the machine.

Two eccentric vibrating motors shake the bed at an adjustable speed. Small vibrations are best so produce does not bounce. The bed is mounted on springs to isolate the vibrations.

Features and benefits



Removes produce pieces and debris from produce flow

A Stainless steel tray

B Coil sprung suspension mounts

C Cross conveyors*

D Easily adjustable gaps

E Built-in spreader tray

F Fully contained vibration motors

Variable speed drives*

- Flexible operation
- Suitable for various produce runs
- Long-lasting
- Food safe
- Provide efficient vibration isolation
- Carry produce pieces and debris away for further processing or packing
- Size can be set to suit your needs
- Size can be adjusted for each produce run
- Distributes produce evenly across the width of the machine, and into the corrugated channels
- Easy to set up
- Efficiently spread produce across the width of the bed and move produce along the bed to the outfeed
- Very low maintenance
- Control oscillation and shaking intensity

* Optional

