



THE BEST FROM EVERY HARVEST

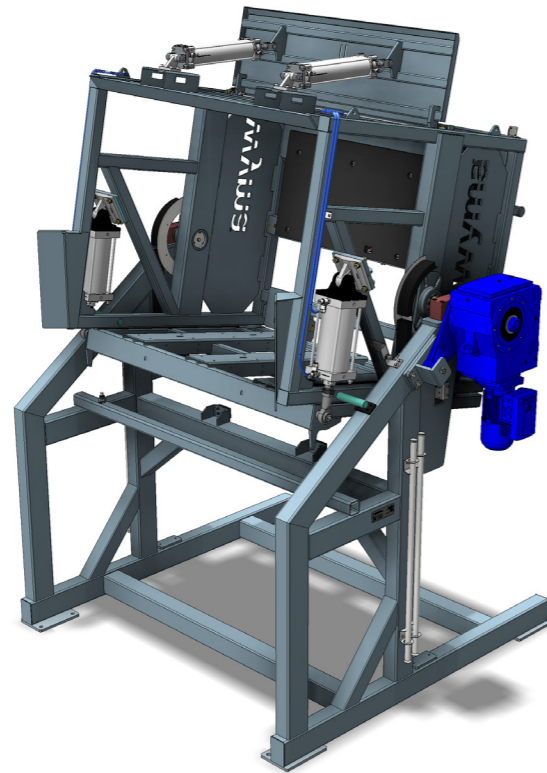
Conveying



Electric Bin Tipper

Efficiently tips produce from bins. Customisable to suit your needs.

Suitable for any produce stored in bins.



Our Electric Bin Tipper tips produce from bins to other equipment.

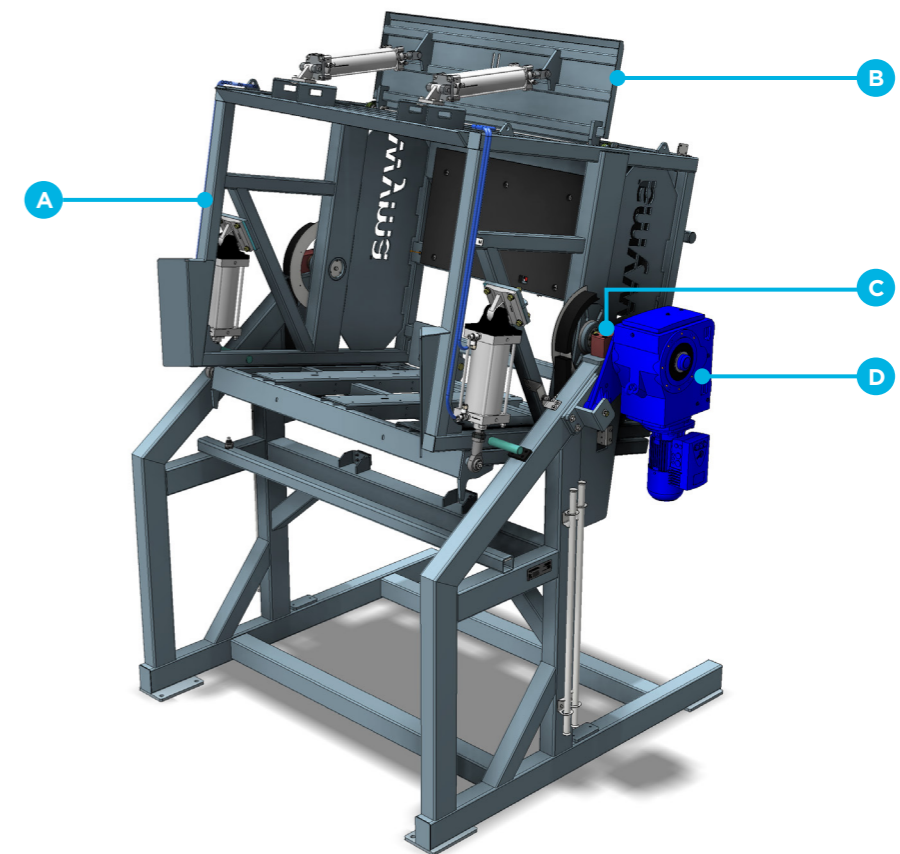
Bins are loaded into the cradle then clamped in place for rotating to the 'tip position'.

Different options:

- **Fixed lid with partial door**
The partial door opens to allow produce to exit at the lowest point of the bin, minimising produce drop.
- **Soft-tip with controlled retraction**
More controlled produce discharge with extra gentle handling.
- **Super tip (no lid)**
Fastest cycle time. Suitable for tipping directly into a Wet Hopper.

The Electric Bin Tipper offers power savings over traditional hydraulic tipper.

Features and benefits



- A Bin cradle to suit your site
- B Partial lid option*
- C Central pivot point
- D Electric drive
- Soft-tip lid option*
- No-lid option (fastest tipping)*
- Double-tip action
- Programmable velocity profile
- Compact, rugged design
- Minimal wear parts
- Bin cradle inserts available*

- Design can be adapted to match your bin sizes
- Low produce exit point
- Compact design, using less energy to tip
- Uses less power and no risk of oil leakage on to produce
- Can provide controlled produce delivery to the start of a line
- Can be combined with a Wet Hopper
- Makes sure no produce is left behind
- Fastest possible cycle time while managing gentle handling requirements
- Built strong to last, and with minimum footprint
- Cheap and easier to maintain
- Can accommodate a second, shorter bin

* Optional

