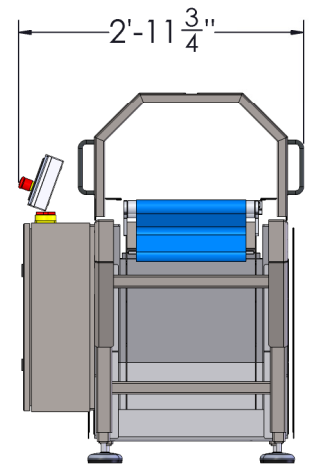
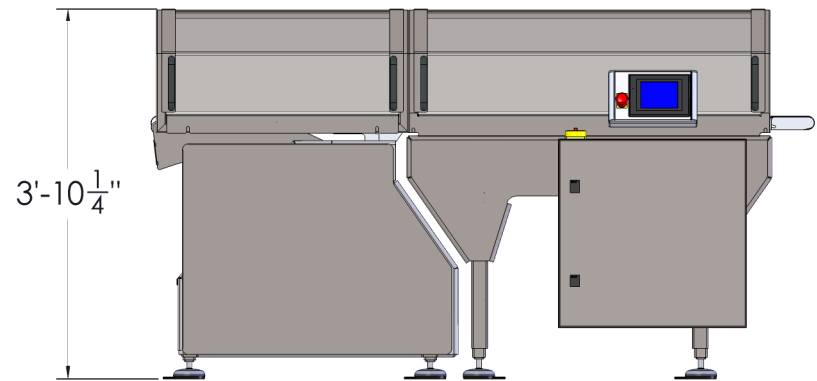
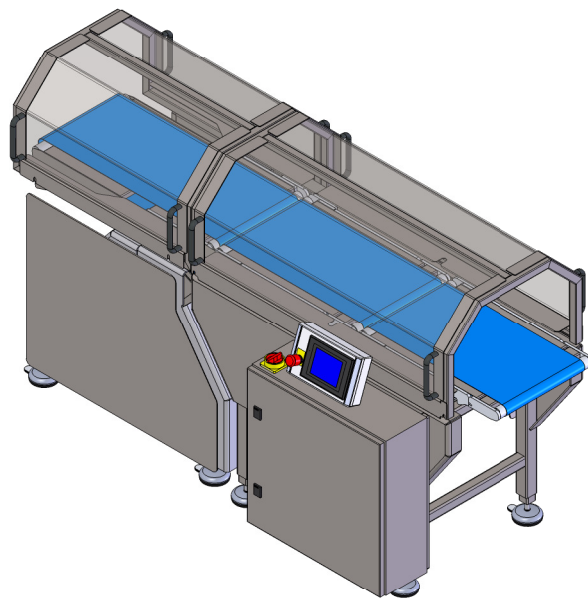
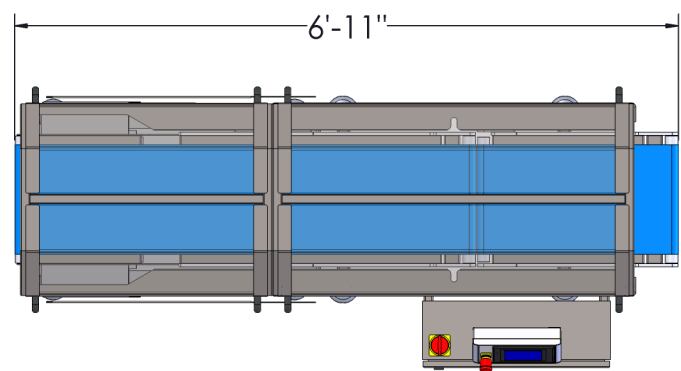



REVISIONS			
REV.	DESCRIPTION	DATE	APPROVED



VEST APPROVAL:	DATE:	DRC APPROVAL:	DATE:	CUSTOMER APPROVAL:	DATE:
 <b>VOLM COMPANIES</b> <small>1804 EDISON STREET, ANTIGO, WI 54409          PHONE: 715 627 4717 FAX: 715 627 2227          www.volmcompanies.com          © 2013 VOLM COMPANIES. ALL RIGHTS RESERVED.</small>			CUSTOMER: <b>VOLM COMPANIES</b> ANTIGO, WI		
THIS PHOTOGRAPH AND/OR DRAWING IS PROPERTY OF VOLM COMPANIES, WHO RESERVES ALL THE RIGHTS TO THIS DRAWING AND THIS INTENTION HEREIN DESCRIBED. THIS COPY IS LOANED SUBJECT TO THE AGREEMENT AND CONDITION THAT IT OR ITS SUBJECT MATTER IS NOT DISCLOSED IN WHOLE OR IN PART TO ANY OTHER PARTY. IT SHALL NOT BE COPIED IN ANY FORM WITHOUT THE EXPRESSED WRITTEN CONSENT OF VOLM COMPANIES. ACCEPTANCE OF THIS COPY WILL BE CONSTRUED AS ACCEPTANCE OF THE FOREGOING CONDITIONS.			DATE: 6/5/2018	TITLE: VOLMPACK CHECKWEIGHER	
3rd ANGLE PROJECTION			PRODUCT: VARIOUS	REV:	SHEET: 1 OF 1
			BY: DWW	DRAWING NO: 0114-002 Checkweigher Light Left	1